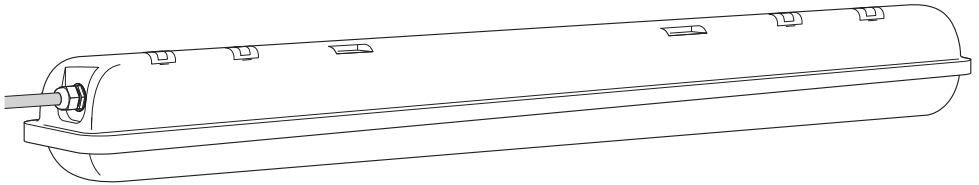



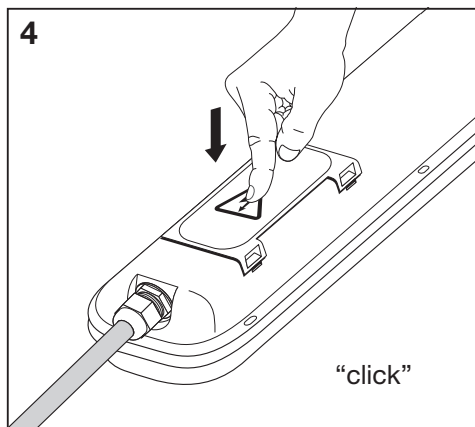
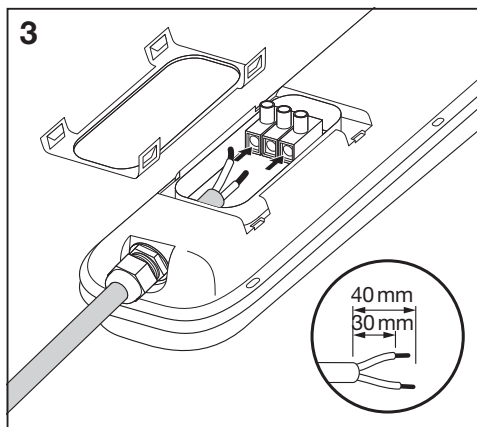
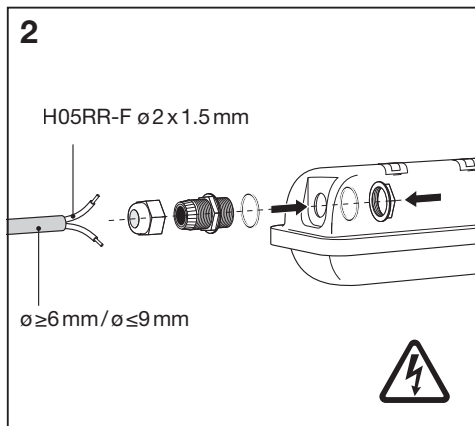
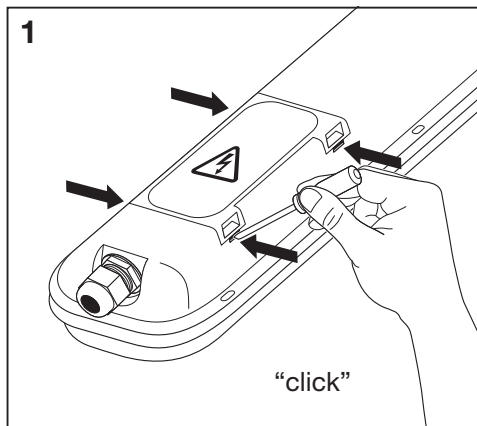
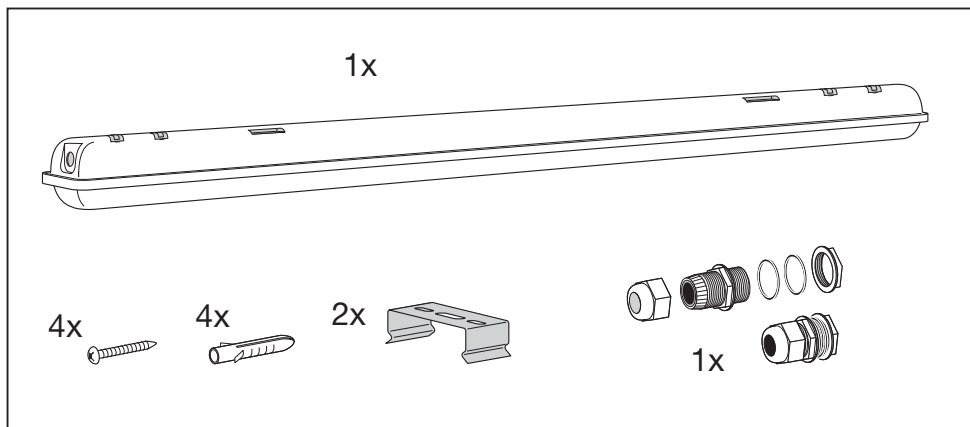
---

## SUBMARINE INTEGRATED

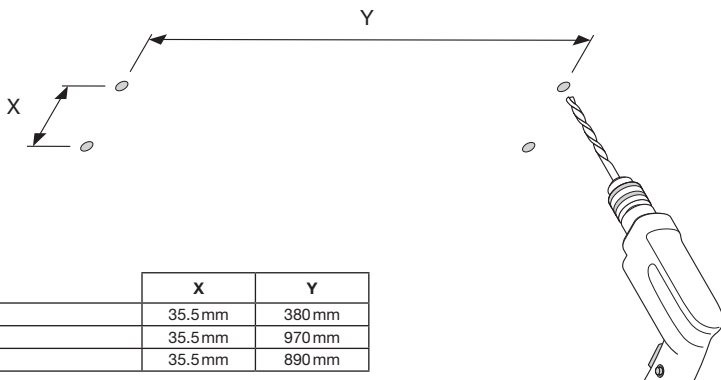
---



	EAN	W	lm	K	IP	Temp (°C)	V~	mA	Hz	PF	
<b>SUBMARINE LED I 0.6M 840</b>	4058075260351	18	1500	4000	65	-20...+40	220-240	78	50/60	>0.9	0.7 kg
<b>SUBMARINE LED I 1.2M 840</b>	4058075260412	36	3000	4000	65	-20...+40	220-240	157	50/60	>0.9	1.2 kg
<b>SUBMARINE LED I 1.5M 840</b>	4058075260498	48	4000	4000	65	-20...+40	220-240	209	50/60	>0.9	1.6 kg

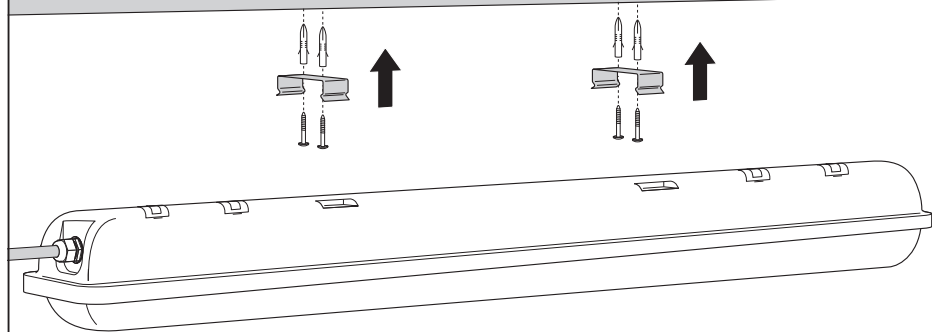


5

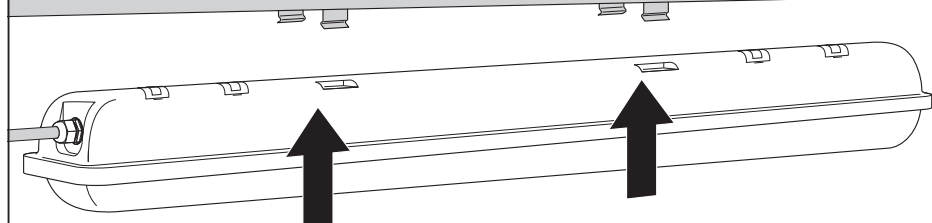


	X	Y
0.6M 840	35.5mm	380mm
1.2M 840	35.5mm	970mm
1.5M 840	35.5mm	890mm

6



7



“click”

“click”



LEDVANCE GmbH  
Steinerne Furt 62  
86167 Augsburg, Germany  
[www.ledvance.com](http://www.ledvance.com)